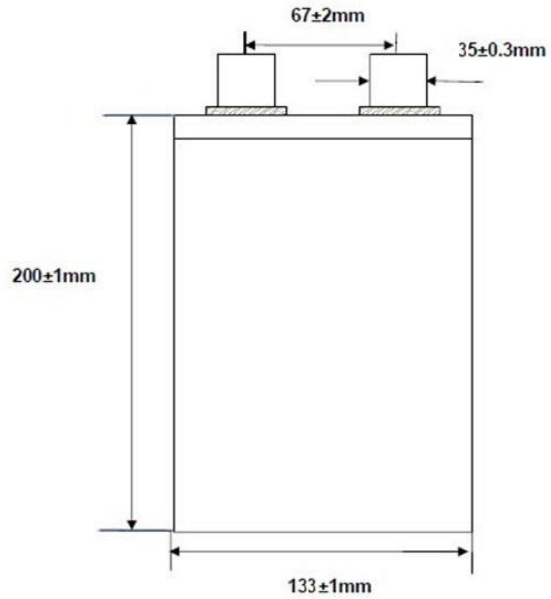


Photo



Drawing



Nominal Capacity		30Ah@0.3C Discharging
Minimum Capacity		30Ah@0.3C Discharging
Nominal Voltage		3.7V
Internal Resistance		≤0.6mΩ
Charging(CC-CV)	Charging Current	2C continuous / 3C peak
	Charging Upper Limit Voltage	4.2V
Discharging	Discharging Current	5C continuous / 10C peak(10 seconds)
	Discharging Cut-off Voltage	3.0V
Charging Time	Standard Charging	2H
	Quick-acting Charging	1H
Operation Temperature	Charging	0°C~45°C
	Discharging	-20°C~55°C
Capacity retention at +55°C		112.56%
Capacity retention at -20°C		84.89%
Cycle life		3,000 cycles after 80% DOD
Weight		530g±20g
Size		9.0x133x200mm
Shape		NCM Lithium ion polymer cell

